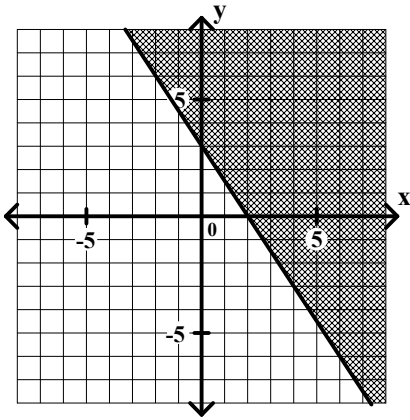


Algebra I Worksheet #8 Unit 7 Selected Solutions

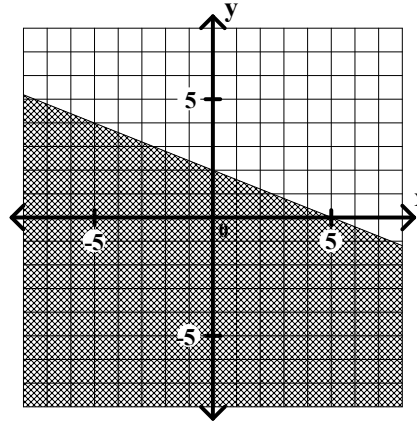
Graph each of the following.

11. $3x + 2y \geq 6$



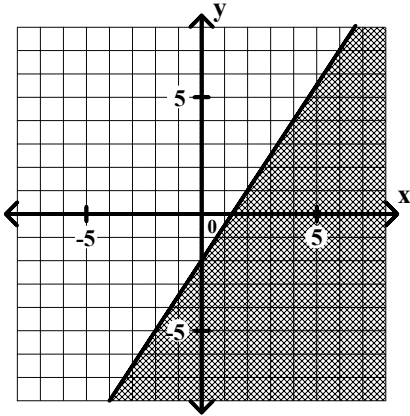
$$\begin{aligned} 3x + 2y &\geq 6 \\ 2y &\geq -3x + 6 \\ y &\geq -\frac{3}{2}x + 3 \end{aligned}$$

12. $2x + 5y < 10$



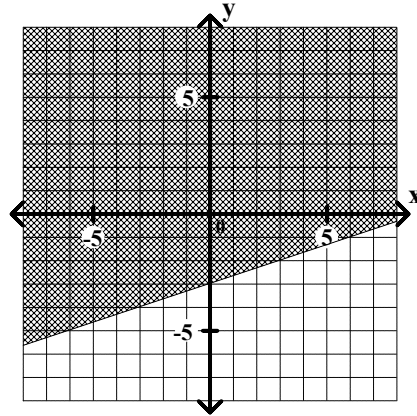
$$\begin{aligned} 2x + 5y &< 10 \\ 5y &< -2x + 10 \\ y &< -\frac{2}{5}x + 2 \end{aligned}$$

13. $3x - 2y \geq 4$



$$\begin{aligned} 3x - 2y &\geq 4 \\ -2y &\geq -3x + 4 \\ y &\leq \frac{3}{2}x - 2 \end{aligned}$$

14. $x - 3y < 9$



$$\begin{aligned} 1x - 3y &< 9 \\ -3y &< -1x + 9 \\ y &> \frac{1}{3}x - 3 \end{aligned}$$