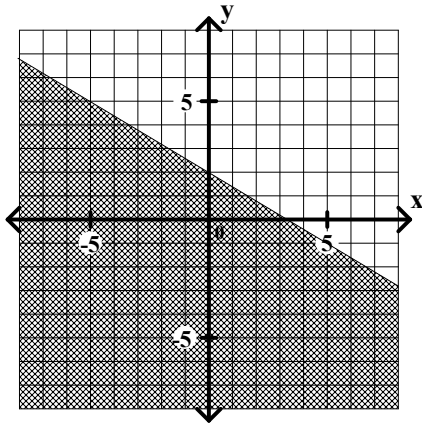


Algebra I Worksheet #7 Unit 7 Selected Solutions

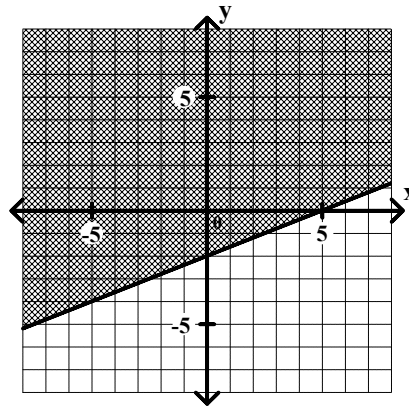
Graph each of the following.

5. $3x + 5y < 10$



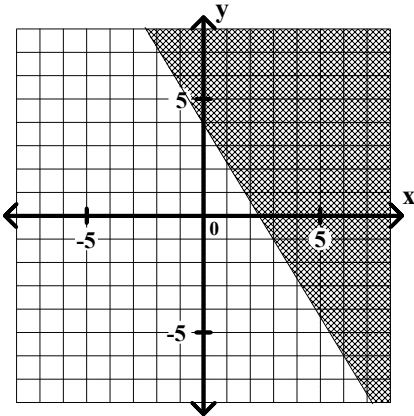
$$\begin{aligned} 3x + 5y &< 10 \\ 5y &< -3x + 10 \\ y &< -\frac{3}{5}x + 2 \end{aligned}$$

6. $2x - 5y \leq 10$



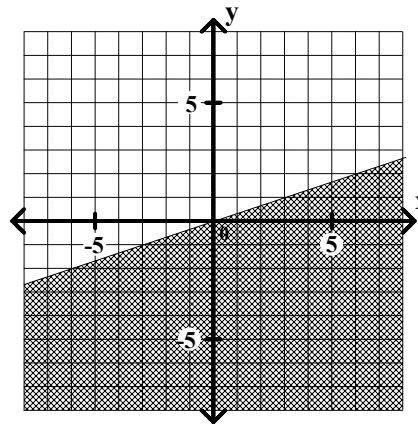
$$\begin{aligned} 2x - 5y &\leq 10 \\ -5y &\leq -2x + 10 \\ y &\geq \frac{2}{5}x - 2 \end{aligned}$$

7. $5x + 3y > 12$



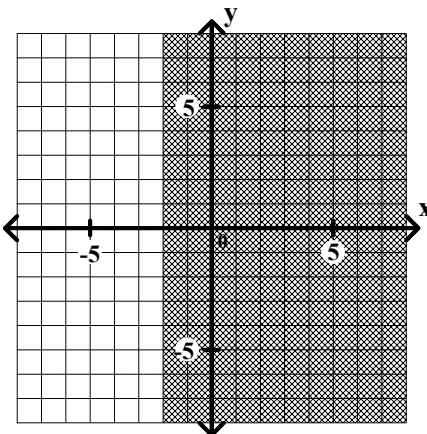
$$\begin{aligned} 5x + 3y &> 12 \\ 3y &> -5x + 12 \\ y &> -\frac{5}{3}x + 4 \end{aligned}$$

10. $x - 3y > 0$



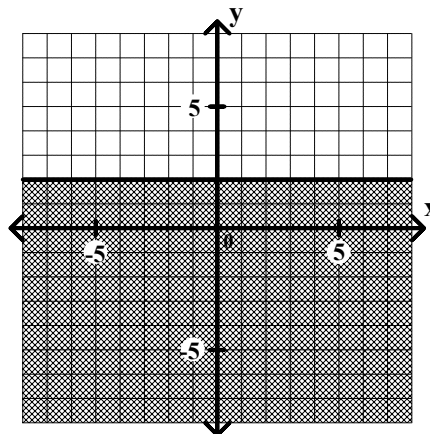
$$\begin{aligned} 1x - 3y &> 0 \\ -3y &> -1x + 0 \\ y &< \frac{1}{3}x + 0 \end{aligned}$$

11. $-3x + 2 < 8$



$$\begin{aligned} -3x + 2 &< 8 \\ -3x &< 6 \\ x &> -2 \end{aligned}$$

12. $5y - 4 \leq 6$



$$\begin{aligned} 5y - 4 &\leq 6 \\ 5y &\leq 10 \\ y &\leq 2 \end{aligned}$$